

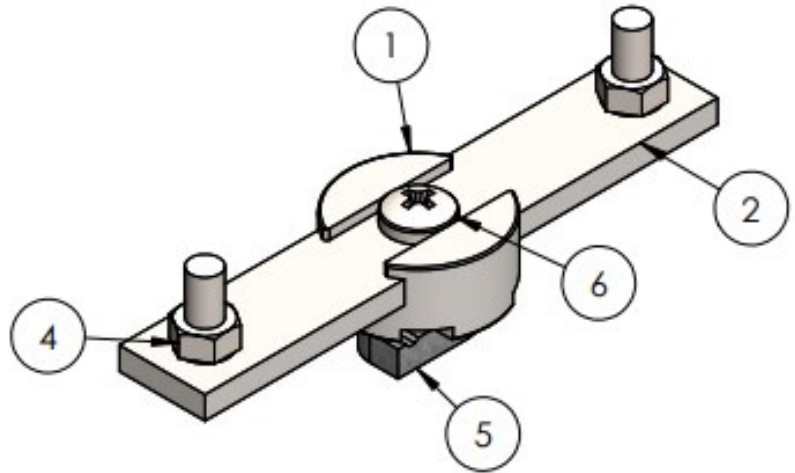


## Lightweight Fixed Anchor

### Product Description

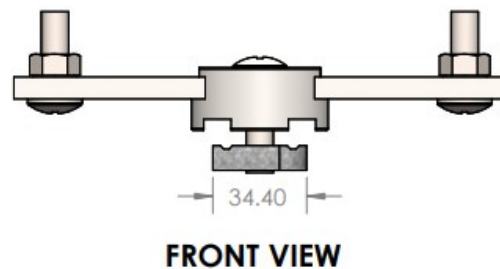
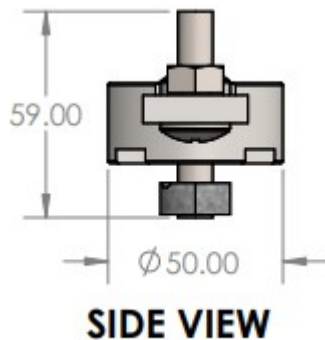
Designed to stop axial, lateral and vertical movement of pipe

These are suitable for connections to Strut profiles.



### Design Features

- Specially designed for use on Strut profiles
- Pipe Clips supplied separately
- BZP Finish
- Two M10 connections



Part Number	Connection		Load Vertical (Hung)	Load Vertical (Sat)	Load Lateral
MTS-LWFA-10	2 x M10		2.5kN	2.5kN	2.5kN

[www.mts-gbp.com](http://www.mts-gbp.com)

[sales@mts-gbp.com](mailto:sales@mts-gbp.com)

**Design Reg No. 6233883**