

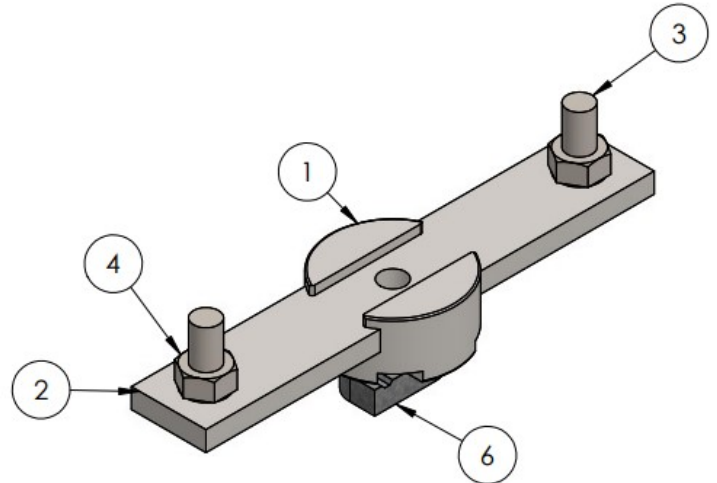
Lightweight Slide Guide Support

Product Description

Designed to allow free axial movement of pipe while restricting lateral or vertical movement.

These are purposely designed for the challenging application such as primary guides for expansion joints.

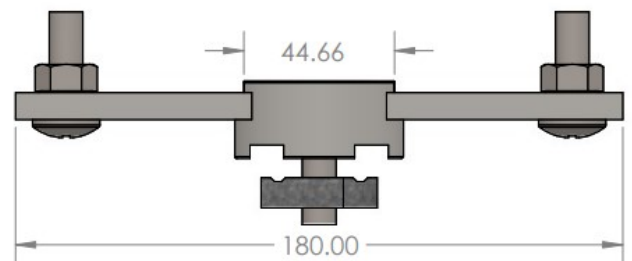
These are suitable for connections to Strut profiles.



ISOMETRIC VIEW

Design Features

- Specially designed for use on Strut profiles
- Low Friction Slide Insert
- Pipe Clips supplied separately
- BZP Finish
- Two M10 connections



FRONT VIEW

Part Number	Connection	Max Travel	Load Vertical (Hung)	Load Vertical (Sat)	Load Lateral
MTS-LWPG-10	2 x M10	70mm	5kN	5kN	2.5kN