



Pipe Anchor Point - 40

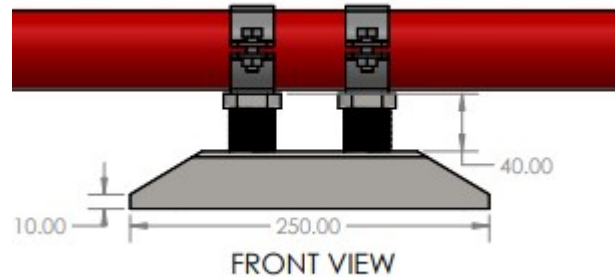
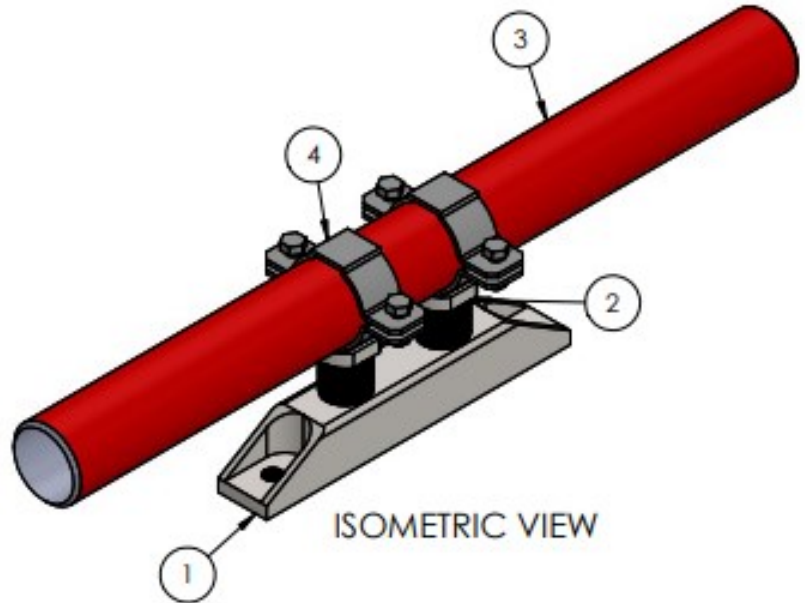
Product Description

Designed to restrict movement of a pipe at a fixed point.

These can be floor or ceiling mounted and are adjustable up to 30mm

Design Features

- 2 x M16 fixings
- Can be suitable for Copper, Stainless Steel & Carbon Steel Pipework
- Pipe Clips supplied separately
- BZP Finish
- Can be used for LTHW, MTHW & HTHW
- Pipe Stops may be required See Installation Instructions



Part Number	Connection	Height	Load Vertical	Load Axial	Load Lateral
MTS-PAP-40	2 x M16 Female	50-80mm	10kN	10kN	7kN