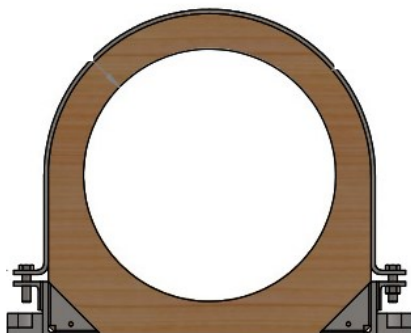
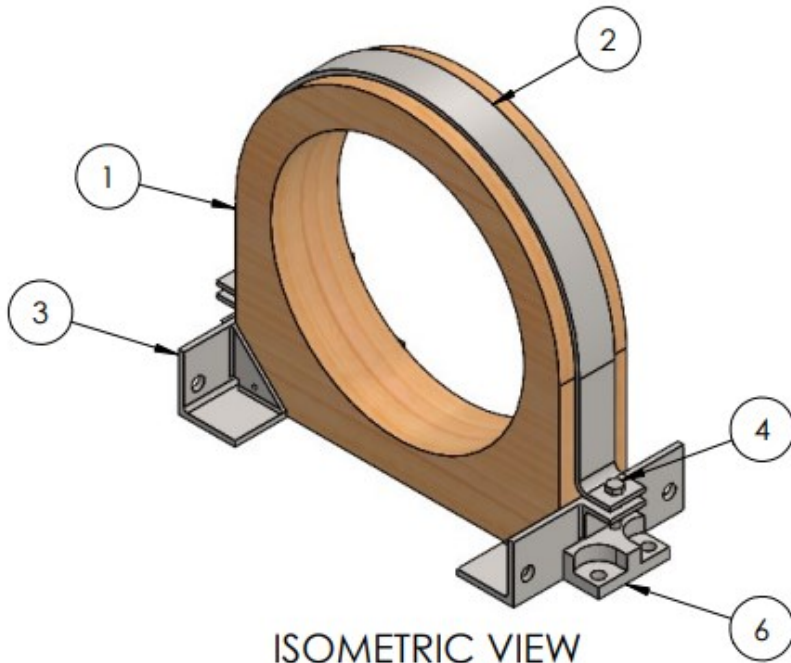




Pipe Ski Guide Support



Product Description

Designed to allow free axial movement of pipe while restricting lateral movement.

These are purposely designed for the challenging application such as supporting large diameter pipework in external applications.

These are to be floor mounted and fixed to purposely designed steel frames

Design Features

- 4 fixing holes for M16
- HDG Finish
- Wooden Insulation Block made to measure
- High corrosion resistance

Part Number	Connection	Max Travel		Load Vertical (Sat)	Load Lateral
MTS-Pipe Ski Guide	4 x M16	100mm		20kN	7kN

www.mts-gbp.com

sales@mts-gbp.com