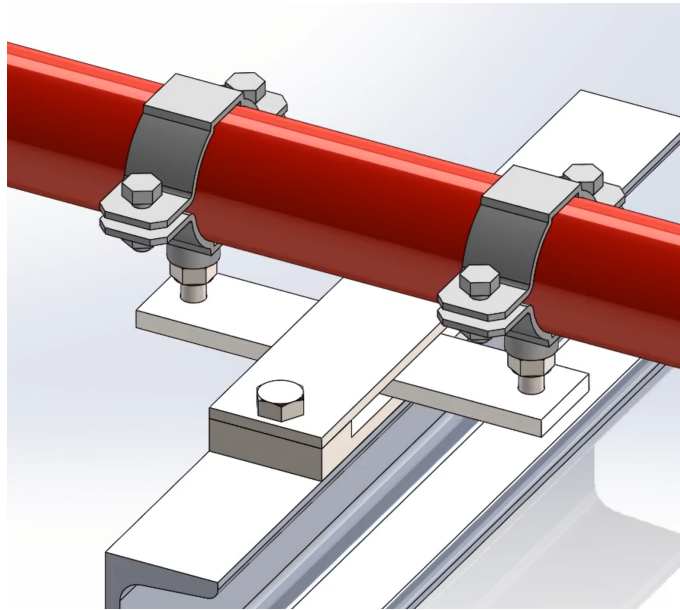


# Low Profile Skid Support



## Product Description

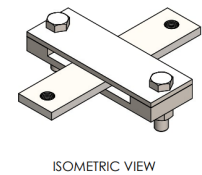
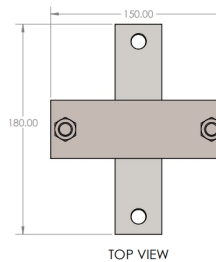
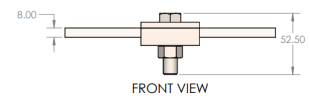
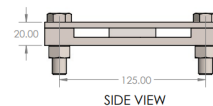
Designed to allow free axial and lateral movement of pipe while restricting vertical lifting movement.

These are purposely designed for the challenging application where the pipe is moving in multiple directions like offsets or pipe loops.

These can be floor or ceiling mounted and are suitable for connections to Unistrut.

## Design Features

- 2 Fixings Holes for M12
- M10/M12 Connections to pipe clips
- Zinc Plated or Zinc Nickel Finish
- Low Friction Slide Insert
- Not supplied with Clips
- Movement is +/- 25mm in all directions



Part Number	Connection	Bi-lateral Movement	MAX Temp.	Load Vertical (Hung)	Load Vertical (Sat)
MTS-SKD-M10	2x M10	+/-25mm	200	5kN	10kN
MTS-SKD-M12	2x M12	+/-25mm	200	9kN	10kN
MTS-SKD-ZN-M10	2x M10	+/-25mm	200	5kN	10kN
MTS-SKD-ZN-M12	2x M12	+/-25mm	200	9kN	10kN

Please note this document can be subject to alteration without notification. Issue 17.10.22