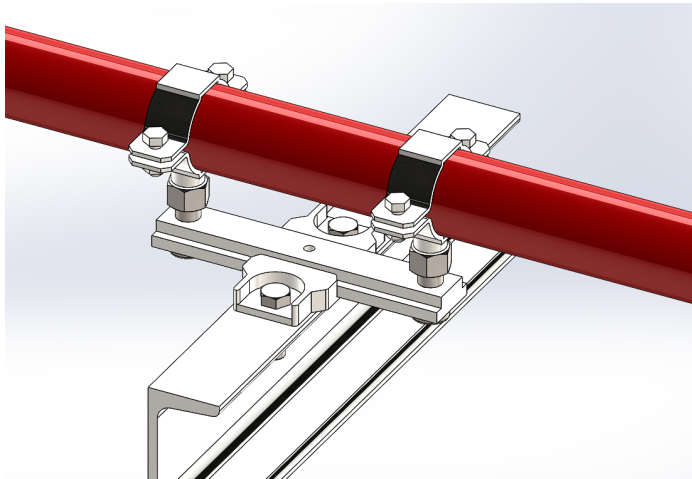


Low Profile Slide Guide Support M16



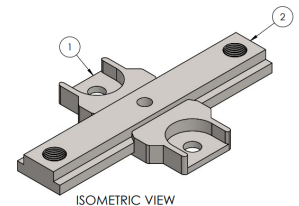
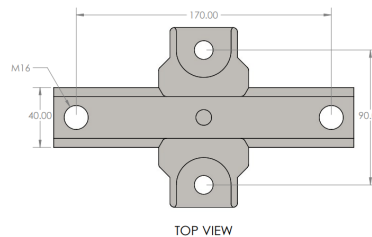
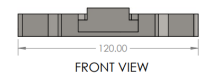
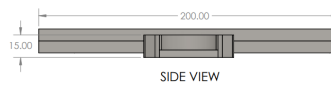
Product Description

Designed to allow free axial movement of pipe while restricting lateral or vertical movement. These are purposely designed for the challenging application such as primary guides for expansion joints.

These can be floor or ceiling mounted and are suitable for connections to Unistrut.

Design Features

- 2 Fixings Holes for M12
- M16 Connections to pipe clips
- Zinc Plated or Zinc Nickel Finish
- Low Friction Slide Insert
- Not supplied with Clips



Part Number	Connection	Maximum Travel	Load Vertical (Hung)	Load Vertical (Sat)	Load Lateral
MTS-SLG-M16	2x M16	70mm	10kN	15kN	3.5kN
MTS-SLG-ZN-M16	2x M16	70mm	10kN	15kN	3.5kN

Please note this document can be subject to alteration without notification. Issue 17.10.22