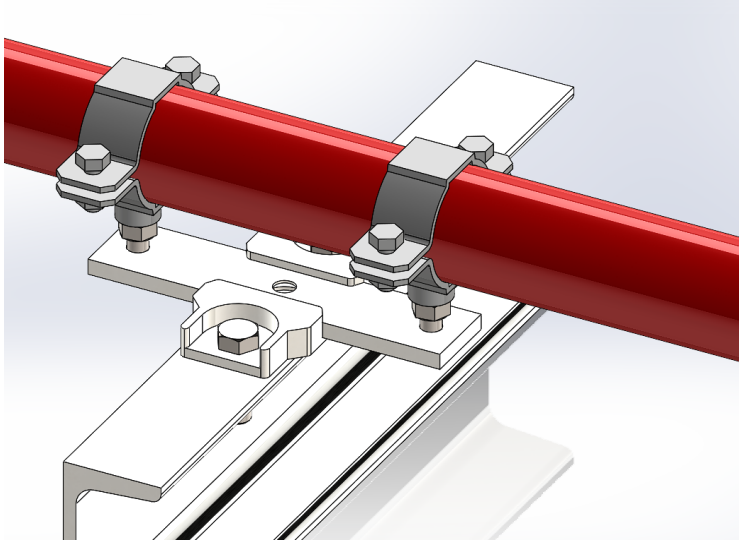


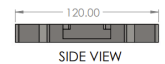
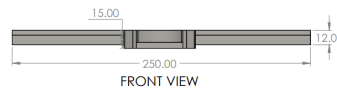
Slide Guide Support Extra Movement



Product Description

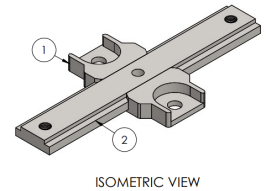
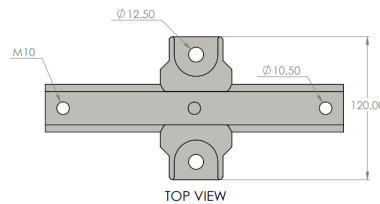
Designed to allow free axial movement of pipe while restricting lateral or vertical movement. These are purposely designed for the challenging application such as primary guides for expansion joints.

These can be floor or ceiling mounted and are suitable for connections to Unistrut.



Design Features

- 2 Fixings Holes for M12
- M10/M12 Connections to pipe clips
- Zinc Plated or Zinc Nickel Finish
- Low Friction Slide Insert
- Not supplied with Clips



Part Number	Connection	Maximum Travel	MAX Temp.	Load Vertical	Load Lateral
MTS-SLG-XM-M10	2x M10	150mm	200	5kN	2.5kN
MTS-SLG-XM-M12	2x M12	150mm	200	5kN	2.5kN
MTS-SLG-ZN-XM-M10	2x M10	150mm	200	5kN	2.5kN
MTS-SLG-ZN-XM-M12	2x M12	150mm	200	5kN	2.5kN

Please note this document can be subject to alteration without notification. Issue 17.10.22