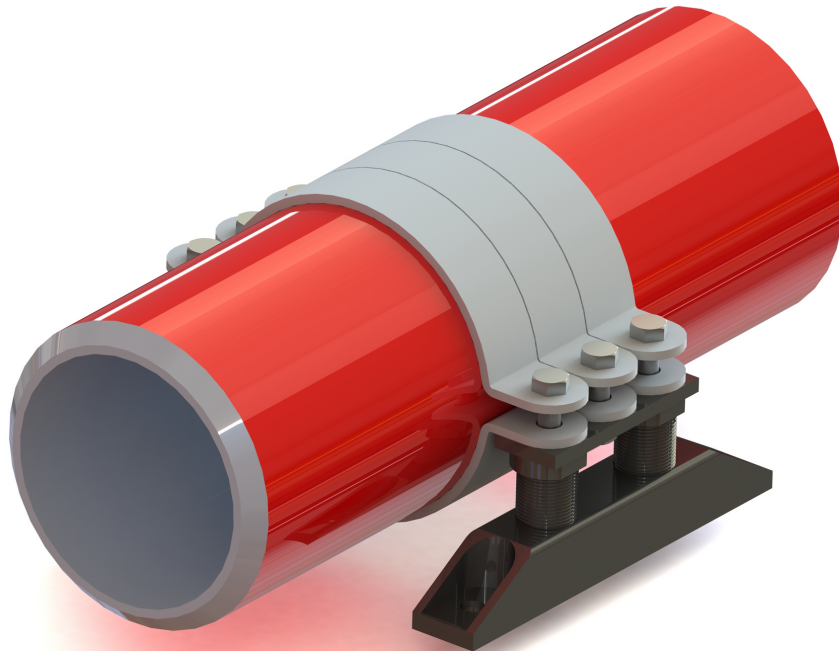
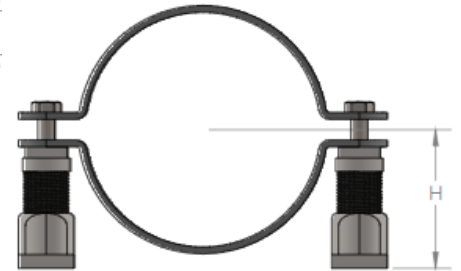
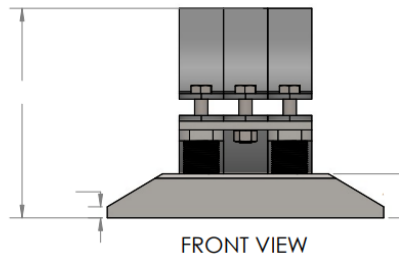
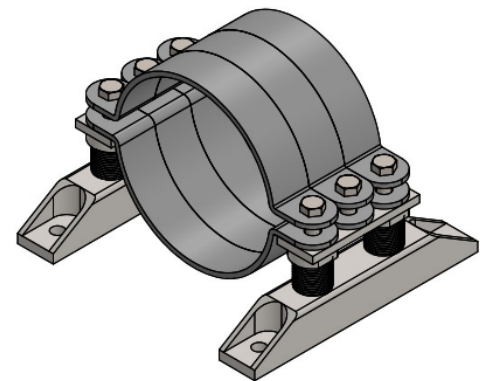


# Double Pipe Anchor Point PAPD 40



## Product Description

Designed to stop axial, lateral and vertical movement of pipe. These can be floor or ceiling mounted. Designed to be height adjustable to aid installation,



## Design Features

- M12 Connections to pipe clips
- Electro Painted and/or Zinc Nickel Finish
- Height adjustable
- For use with 3no. Clips- Sold Separately
- Available with short or long adjustable sockets

Part Number	Connection	MAX Temp.	Height (H) min/max	Load Vertical Hung	Load Vertical Sat	Load Lateral
MTS-PAPD-40-S	6 x M12	200	67/97mm	42kN	42kN	42kN
MTS-PAPD-40-L	6 x M12	200	86/117mm	42kN	42kN	42kN

Please note this document can be subject to alteration without notification. Issue 13.04.23