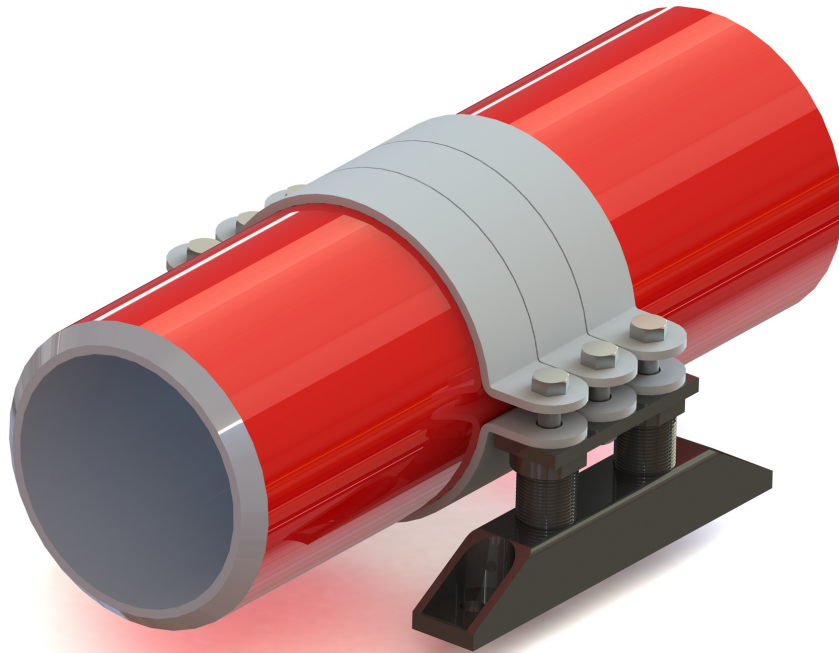
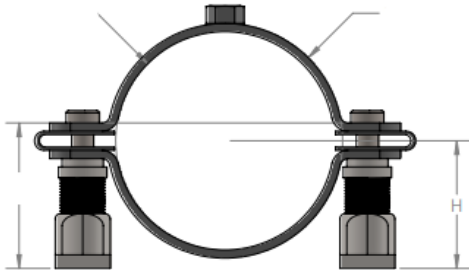
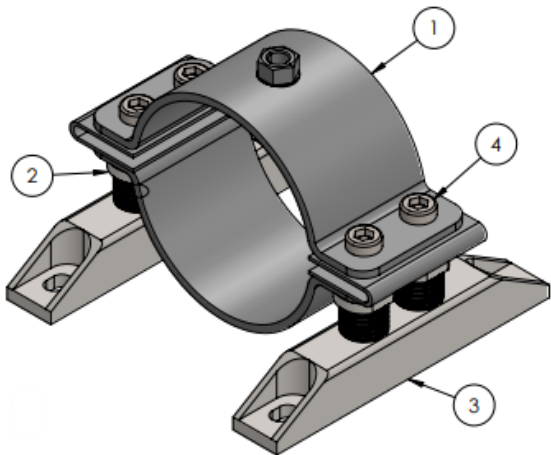


Double Pipe Anchor Point PAPD 50



Product Description

Designed to stop axial, lateral and vertical movement of pipe. These can be floor or ceiling mounted. Designed to be height adjustable to aid installation,



Design Features

- M16 Connections to pipe clips
- Electro Paint or Zinc Nickel Finish
- Height adjustable
- Not supplied with Clips - Use Split Band Clips
- Available with short or long adjustable sockets

Part Number	Connection	MAX Temp.	Height (H) min/max	Load Vertical Hung	Load Vertical Sat	Load Lateral
MTS-PAPD-50-S	4 x M16	200	77/107mm	35kN	35kN	35kN
MTS-PAPD-50-L	4 x M16	200	96/127mm	35kN	35kN	35kN

Please note this document can be subject to alteration without notification. Issue 17.03.28